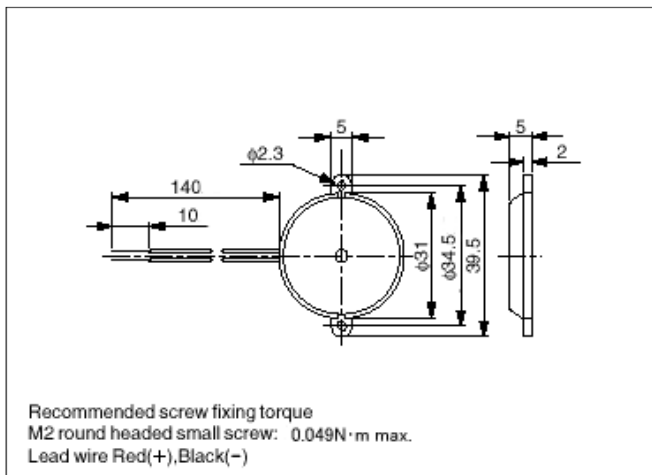


**EB-type buzzer EB3105A-30C140-12V**

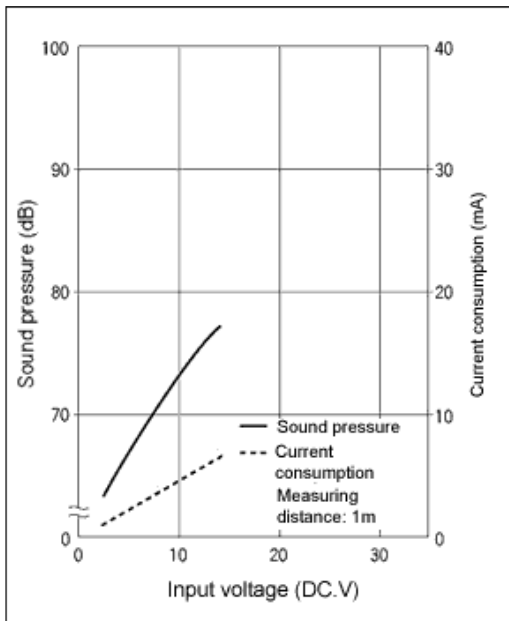
(Measurement condition : 25°C±2°C,45~60%RH)

Electrical characteristics	Oscillation sound		Continuance
	Sound pressure (dB min.) (Distance:m)		70 (0.3)
	Oscillating frequency (kHz)		3.0±0.5
	Current consumption (mA max.)		8
	Rated power supply voltage (DC.V)		12
	Operating voltage (DC.V)		2.4~15
	Rated working temperature range (°C)		-20~+60
Shapes and structures	Dimensions (mm)	Outer diameter	φ31
		Height	5
	Terminal		Lead wire
	Casing color		Black
Weight (g)			3.9

● Shape



● EB-type buzzers: sound pressure vs. input voltage



---

[Inquiry](#)